

9.

HIWIN LAC3 Series

LAC3



Screw type	ACME
Weight*	8.1kg
Protection	IP54
Compatible controller	Compatible with all controllers [*Notice the type of connector: Audio/DIN 4pin]
Working temp.	+5°C~40°C

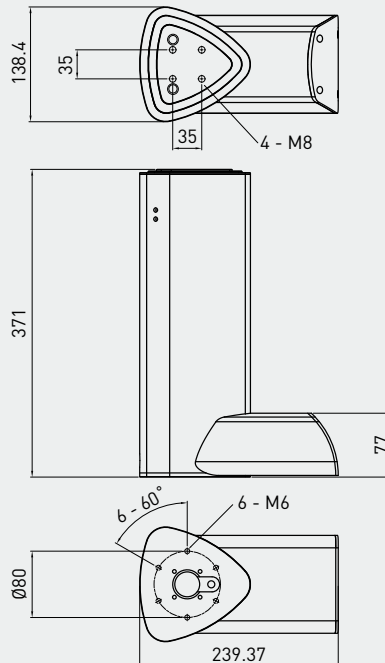
* Stroke length 400mm

* Option: Position Feedback: Potentiometer



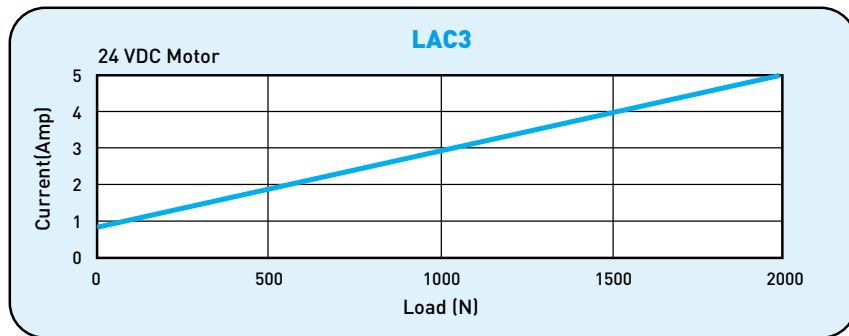
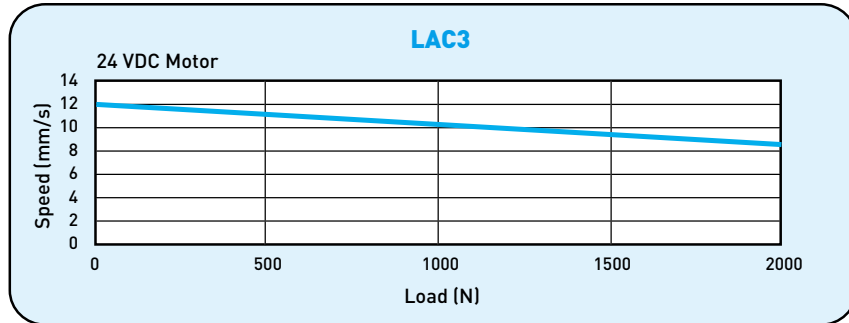
• RL=171+S/2

RL:Retracted length
S:Stroke length



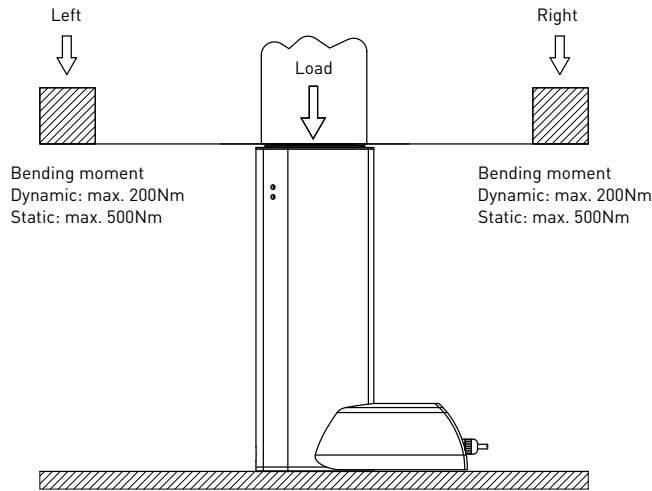
• **LAC3 Specifications**

Model	Thrust max. (N)	Pulling max. (N)	Holding max. (N)	Speed (mm/s) Load=Max./Load=0		Standard stroke (mm) : S			Duty cycle %	Current max. (A) 24VDC	Potentiometer Resolution (ohm/mm)
LAC3-1	2000	500	2000	8.4	12	300	400	500	10	5	6.42



**Note: The test results are obtained by using the 24VDC power supply.

• **LAC3 Bending moment illustration**



• **Ordering Information**

