

HIWIN LAN Series (2)

LAN2



Screw type	ACME
Weight*	3.1 kg
Protection	IP 54
Compatible controller	LAK2/LAK2L
Working temp	+5°C ~40°C

Position feedback specifications (Hall Sensor)

Supply voltage	24VDC
Output	High level 22VDC Low level 0.2v/10mA sink (NPN)

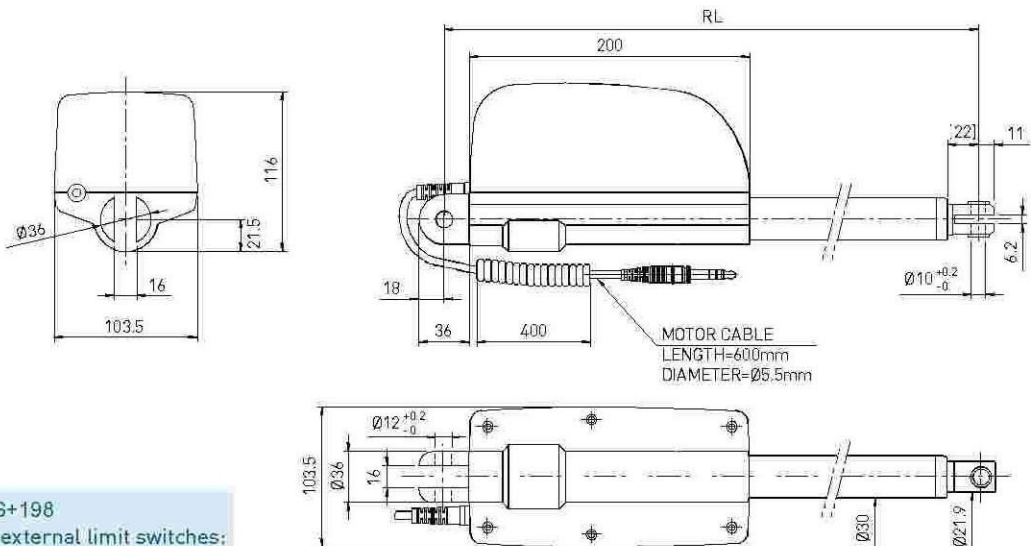
* Stroke length 300 mm

* Option: (1)IP66

(2)position feedback

(3)Safety nut: RL=S+211

(4)Spline(push only): RL=S+237

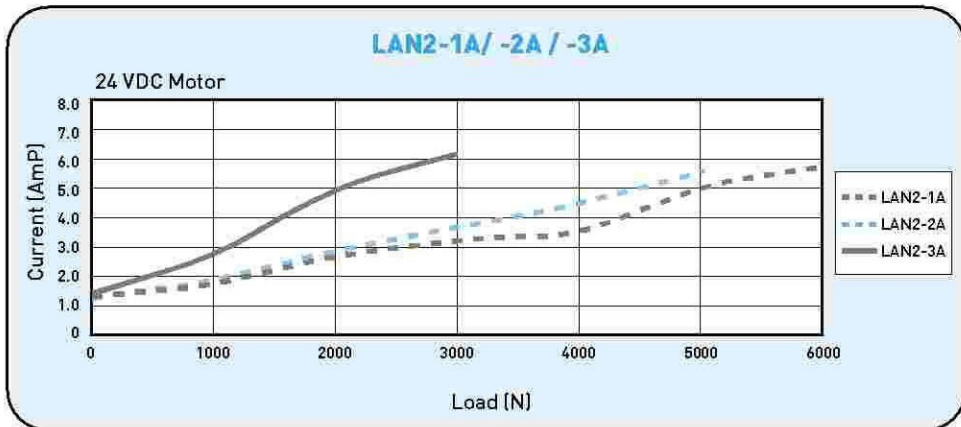
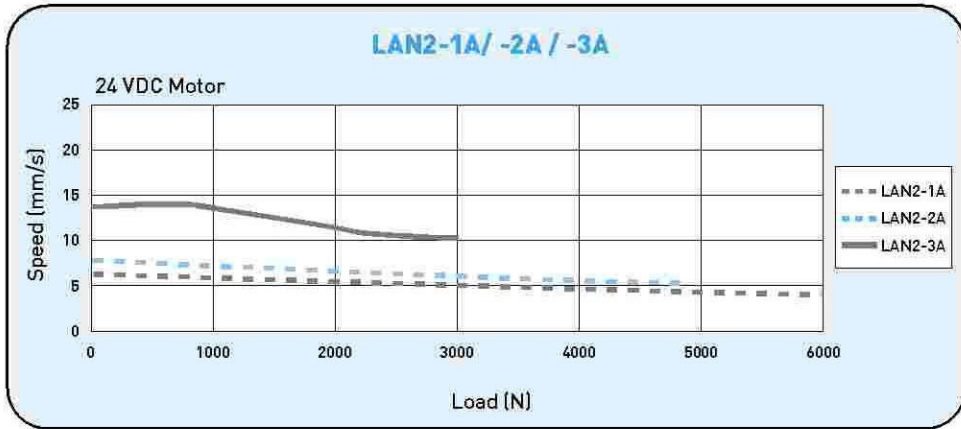


- RL=S+198
- With external limit switches:
RL=S+198
- RL : Retracted length
- S : Stroke length

● LAN2 Specifications

Model	Screw type	Thrust max. [N]	Holding max. [N]	Speed [mm/s]	Standard stroke [mm] : S	Duty cycle %	Max.current [A] 24VDC	Hall Sensor Resolution [mm/pulse]
				Load=Max.Load=0				
LAN2-1A	ACME	6000	5000	4 6	100 150 200 250 300 350 400	10	6	0.3
LAN2-2A	ACME	5000	5000	5 7.5	100 150 200 250 300 350 400	10	6	0.4
*LAN2-3A	ACME	3000	3000	9 14	100 150 200 250 300 350 400	10	6	0.8

* LAN2/-3A Holding Force (Push direction only).



Note: The test results are obtained by using 24VDC power supply.

● Ordering Information

