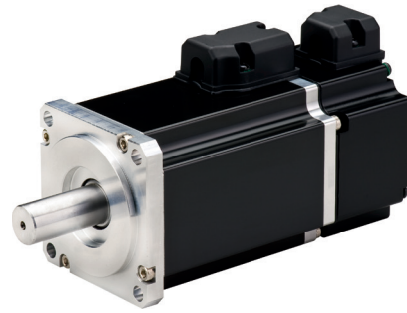
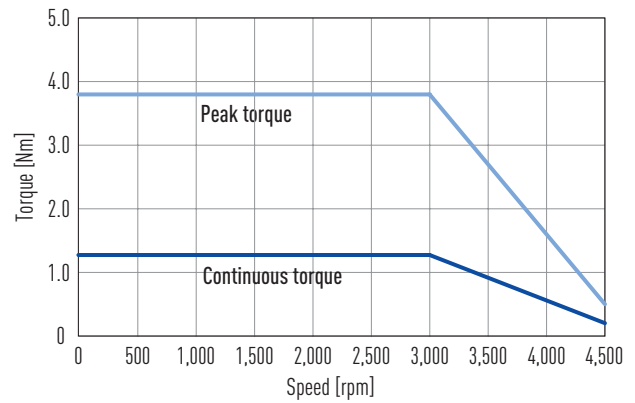


FRMS 400 W

Technical data FRMS 400 W			
Motor data	Symbol	Unit	FRMS402 __ 06 _
Nominal voltage	V	VAC	220
Nominal power	W	W	400
Nominal torque	T_C	Nm	1.27
Nominal current	I_C	A_{eff}	2.6
Peak torque for 1 sec.	T_P	Nm	3.81
Peak current for 1 sec.	I_P	A_{eff}	7.8
Nominal speed	n_N	rpm	3,000
Maximum speed for 1 sec.	n_{max}	rpm	4,500
Torque constant	K_T	Nm/ A_{eff}	0.48
Voltage constant	K_e	$V_{eff}/(1,000 \text{ rpm})$	29.61
Winding resistance ¹⁾	R	Ω	4.13
Winding inductance ¹⁾	L	mH	9.9
Mass inertia of rotor	J	$kgm^2 \times 10^{-4}$	0.44
Mass inertia of rotor with brake	J	$kgm^2 \times 10^{-4}$	0.48
Motor weight	M	kg	1.31
Motor weight with brake	M	kg	1.86
Motor insulation class			A
Motor brake (optional)²⁾			
Braking torque (static)	T_b	Nm	1.3
Power supply	V	VDC	$24 \pm 10\%$
Power consumption	A	A	0.3
Rated input	W	W	7.7
Response time open	t_0	ms	30.0
Response time close	t_R	ms	20.0



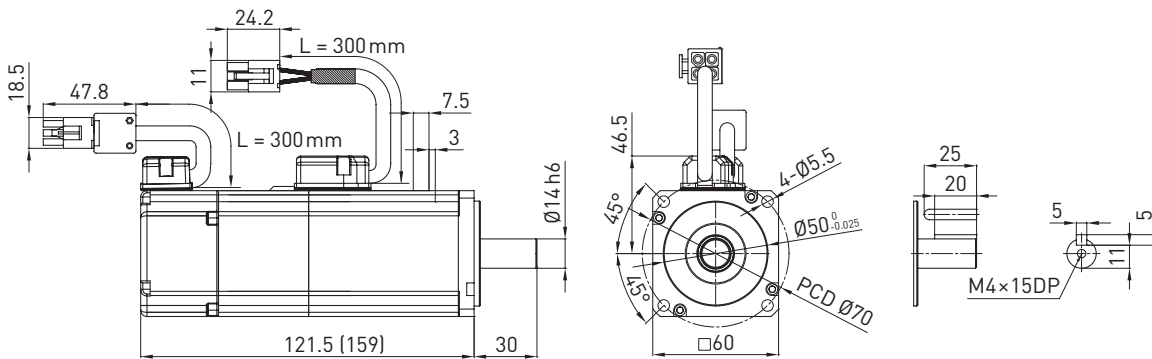
Torque-speed curve FRMS 400 W:



¹⁾ Line to line

²⁾ The motor brakes are holding brakes only, not operating brakes

Dimensions FRMS 400 W:



Values in brackets apply to model with motor brake